

# X3 STORM

## The Strength Of Steel



The **X3-STORM™** rugged, **3 Megapixel** PTZ camera is designed for extreme environment surveillance applications. The camera body is precision-manufactured from **Electropolished 316 Stainless-Steel**, with toughened, optically flat glass\*, making it highly resistant to vandalism and demanding environmental conditions. It has a **long-life silicone wiper** as standard and high-efficiency, adaptive, **long-range white-light and IR LED illumination** as options, for exceptional night-time and low-light operation.

The X3-STORM™ has an extensive range of features including four video streams for recording, visualisation, set-up and servicing; **H.265, H.264** and MJPEG compression; optional **256GB SD card edge storage**; **ONVIF** compliance to **Profile S, G and Q**; 400 pre-sets, 12 tours, 12 scans, 6 tracks and 20 privacy masks; alarms, motion detection, intelligent analytics and tracking; with an operating temperature range of **-40°C to 70°C**.

A **90W PoE version** offers quick and easy connectivity via RJ45 socket, operating over a full 100m Cat 5e span.

\*Polycarbonate window is available by special order

The **X3-STORM™** is fitted with a 101.6mm (4") **PCD mount**, with clearance holes suitable for up to M8 bolts. A matching range of brackets, mounts and anti-Bird Spike are also available. The **X3-STORM™** can be also ordered in any RAL colour, to match your specific application.

The X3-STORM™ is designed for the **ultimate** in resilient, rugged surveillance camera applications, such as **Coastal, Heavy Industrial, Tunnels, Highways and Petrochemical** environments.

Redvision is the UK's leading manufacturer of high-performance CCTV cameras and housings. They are used extensively in many applications, including Public Space, Prisons, Commercial, Industrial, Highways, Marine and Military.

**Interested?** Redvision are a proud UK manufacturer of high-quality surveillance cameras, so call us on **+44 (0) 1420 448 448**

### RVX3 Product Codes

Product Code	Product Description
RVX3	30:1 3MP 316 Stainless Steel PTZ, WIPER, Electropolished finish
RVX3-POE	30:1 3MP 316 Stainless Steel PTZ, POE 60W (802.3bt), WIPER, Electropolished finish
RVX3-ALM	30:1 3MP 316 Stainless Steel PTZ, WIPER, 4 alarm in, 2 alarm out, Electropolished finish
RVX3-IR	30:1 3MP 316 Stainless Steel PTZ, Long-Range IR Lights, WIPER, Electropolished finish
RVX3-POE-IR	30:1 3MP 316 Stainless Steel PTZ, POE 90W (802.3bt), Long-Range IR Lights, WIPER, Electropolished finish
RVX3-ALM-IR	30:1 3MP 316 Stainless Steel PTZ, Long-Range IR Lights, 4 alarm in, 2 alarm out, WIPER, Electropolished finish
RVX3-IRWL	30:1 3MP 316 Stainless Steel PTZ, Long-Range IR+White Lights, WIPER, Electropolished finish
RVX3-POE-IRWL	30:1 3MP 316 Stainless Steel PTZ, POE 90W (802.3bt), Long-Range IR+White Lights, WIPER, Electropolished finish
RVX3-ALM-IRWL	30:1 3MP 316 Stainless Steel PTZ, 4 alarm in, 2 alarm out, Long-Range IR+White Lights, WIPER, Electropolished finish
-PC4	Polycarbonate window option (must be specified at time of ordering)

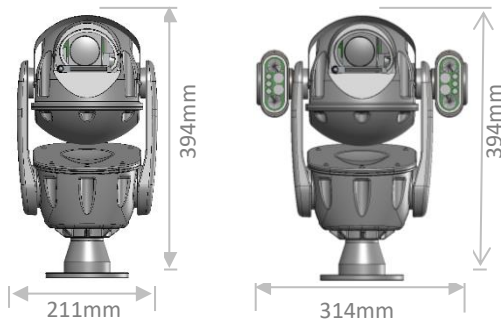
## X3 STORM Technical Specifications



Camera Specification	
Camera module	3MP 30x optical zoom, 1/2.8 CMOS Low-Light sensor, True-ICR
Lens	4.5mm ~ 135mm FOV: 59.8° (Wide) ~ 2.3° (Tele)
Sensitivity	Colour: 0.01Lux @ F1.2 Monochrome: 0.0001Lux @ F1.2 (AGC ON)
Shutter Speed	Auto, 1-10,000/s
Iris	Auto/ Manual
Noise Reduction	3D Digital
Image Enhancement	dWDR, BLC, HLC, Defog
Digital Image Stabilisation	Yes
P/T Range	Pan: 360° continuous Tilt: 150°
P/T Speed	Pan: 50°/sec Tilt: 50°/sec
Privacy	20 Masks, individual colour choice
Preset Positions	400
Preset Tours	12
Autopan Scans	12
Mimic Patterns	6
P/T Coordinates	Yes, OSD Display

Video Streaming	
Video Compression	H.265, H.264, MJPEG
Streams	3 + Service Stream
Resolutions	Stream 1: 2048 x 1536 (3MP), 1920 x 1080 (2MP), 1280 x 720 (1.3MP) Stream 2: D1, VGA, 640 x 360, CIF, QVGA Stream 3: VGA, CIF, QVGA
RTSP Video	RFC2326, Supports VLC & QuickTime
FPS	30fps max.
Bitrate	Stream 1: 500kbps ~ 12Mbps Stream 2: 100kbps ~ 6Mbps Stream 3: 100kbps ~ 6Mbps
ROI	Yes

Network Interface	
Interface	Ethernet RJ45, 10-100Base-T connection
Supported Protocols	IPv4, HTTP, HTTPS, 802.1x, TCP, UDP, RTSP, DHCP, NTP, RTCP/RTP, PPPoE, SMTP, SNMP, DNS, UPnP, FTP, ICMP, IGMP, Unicast/ Multicast
Languages (Web interface)	English, French, Italian, Spanish, Russian
ONVIF	Profile S, G, Q
Edge Storage (optional)	256GB
Security	Base-64 authentication, HTTPS (SSL), 802.1x, IP Address Filtering



Events	
Alarm I/O	4 in, 2 out
Intelligent Motion Tracking	Yes
Event Notifications/ Actions	Email (5 recipients), FTP Upload, SD Event recording, alarm output, live stream display, mobile app push notification.
Intelligent Analytics	Perimeter, Virtual Fences, Loitering, Objects left/Removed, Speed, Illegal Parking, with scene calibration and scheduling, email recipients upon event, FTP upload, record event to SD, ONVIF event notification and video overlay.
Motion Detection	Detection grid, scheduling
System Events	SD, Network issue, ICR Switch

Electrical & Physical	
Power Supply	24VDC via RVX3 PSU module; input 100~240VAC 50/60Hz. PoE version: RJ45 socket, takes power & data
Power Consumption	24VDC: 50W PoE: 90W 802.3bt (60W for non-Lamp)
Dimensions (H W D)	Non-Lamp models: 394 x 211 x 226mm Lamp models: 394 x 314 x 226mm
Weight	14kg without lamps, 18kg with lamps
Operating Temperature	-40°C ~ +70°C
Impact rating	Meets IK10 standards (w/ Polycarbonate window option)
Ingress protection	Meets IP67, NEMA 4x requirements
Vibration testing	TEN 50556:2011, clauses 6.3.2 & 11 (Table 3, Class AL2) EN 60068-2-64-2008 Test Fh
EMC	EN 55032:2015 EN55035:2017 Class A
Camera body	316 Stainless-Steel
Colour	Electropolished Stainless Finish

Lighting & DORI	
Illumination Range	IR (850nm) to 300m White Light to 250m
<b>DORI Category</b>	<b>Distance covered</b>
Detection	IR Light: 300m White Light: 250m
Observation	IR Light: 250m White Light: 200m
Recognition	IR Light: 150m White Light: 150m
Identify	IR Light: 75m White Light: 75m

- Extreme rugged camera, 316 Stainless Steel
- PoE 90W (802.3bt) Version available (60W for Non-LED)
- Adaptive White Light and IR (zoom-linked) operation
- Intelligent, Auto- PTZ Tracking
- SD Card recording option, 256GB
- VMS Integration, including Redvision VMS1000™
- Matching Mounting Bracket Options
- Brushless Stepper Motors for Resilience and durability
- **UK-based Technical Support**, direct from the manufacturer



UK Design and Manufacture----- Proud UK Service and Support

