



D-TECT Universal Dual Tech

The D-TECT Universal Dual Tech detector is a battery powered outdoor motion detector designed to integrate with third-party wireless modules. It uses a microwave and two independent passive Infra-Red detectors, all of which must trigger to cause the detector to signal an alarm.

Utilising quad PIR and microwave technology, the D-TECT Universal Dual Tech detector delivers precise, reliable presence detection.

The detector is a battery powered device with three independent negative switching outputs to connect to third party transmitter modules.

PRODUCT CODE

GJD660 D-TECT Universal Dual Tech

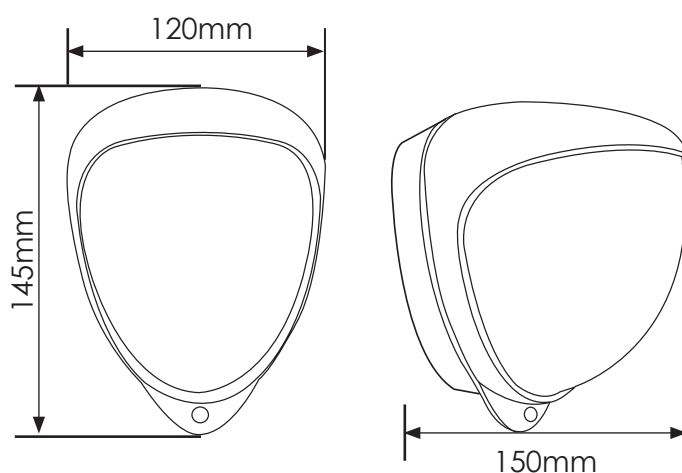
UNIQUE FEATURES

- Adjustable pan and tilt
- Dual Tech PIR and microwave detection technology
- HDPE cover
- UV stabilised
- Covert electronics

END USER BENEFITS

- Modern design
- Easy to install
- Highly cost effective
- Ideal for temporary installations
- Aesthetically pleasing design

DIMENSIONS



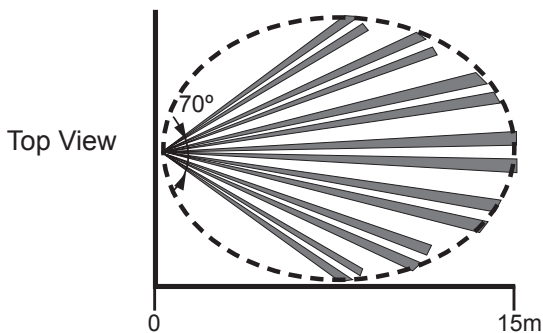
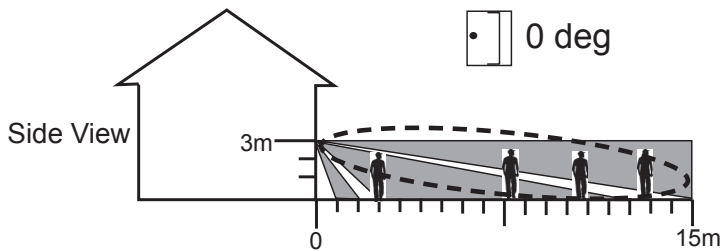
ACCESSORIES

PMB1	Pole Mount
------	------------

Outputs	Alarm, Tamper and low battery Negative switching, selectable applied or removed
Detection range	15m x 15m
Detector orientation	180° pan & 90° tilt
Mounting height	Up to 6m - Optimum 3m
Tamper switches	Front & rear tamper switches, case open and removal from wall
Temperature	-20°C to +55°C
End of line resistance	N/A
Power input	2 x CR123, 3 volt batteries*
Pulse count	1 - 2
Housing & IP rating	High impact ABS IP65
BS8418 Compliant	Yes

*Batteries not included

BEAM COVERAGE



Please note GJD reserve the right to change the information within this document, without notice.

